

PRODUCT INFORMATION PACKET

Model No: 056C17W5329
Catalog No: N527
1,1800,TEFC,56C,1/60/115/208-230
Washdown Duty



Regal and Marathon are trademarks of Regal Beloit Corporation or one of its affiliated companies.
©2018 Regal Beloit Corporation, All Rights Reserved. MC017097E



Nameplate Specifications

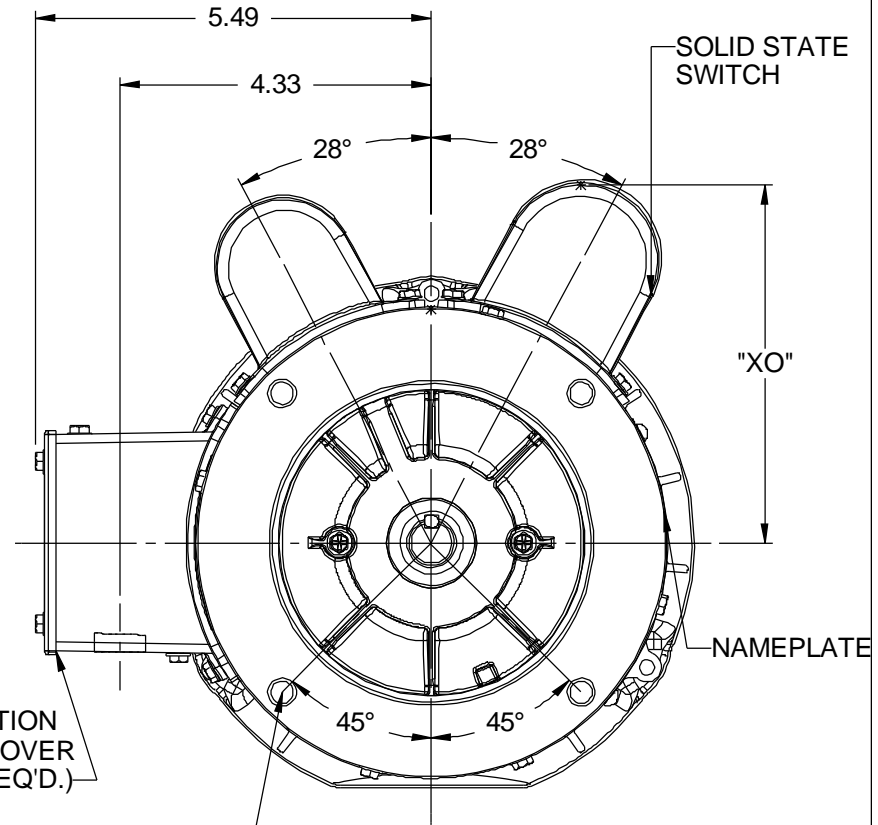
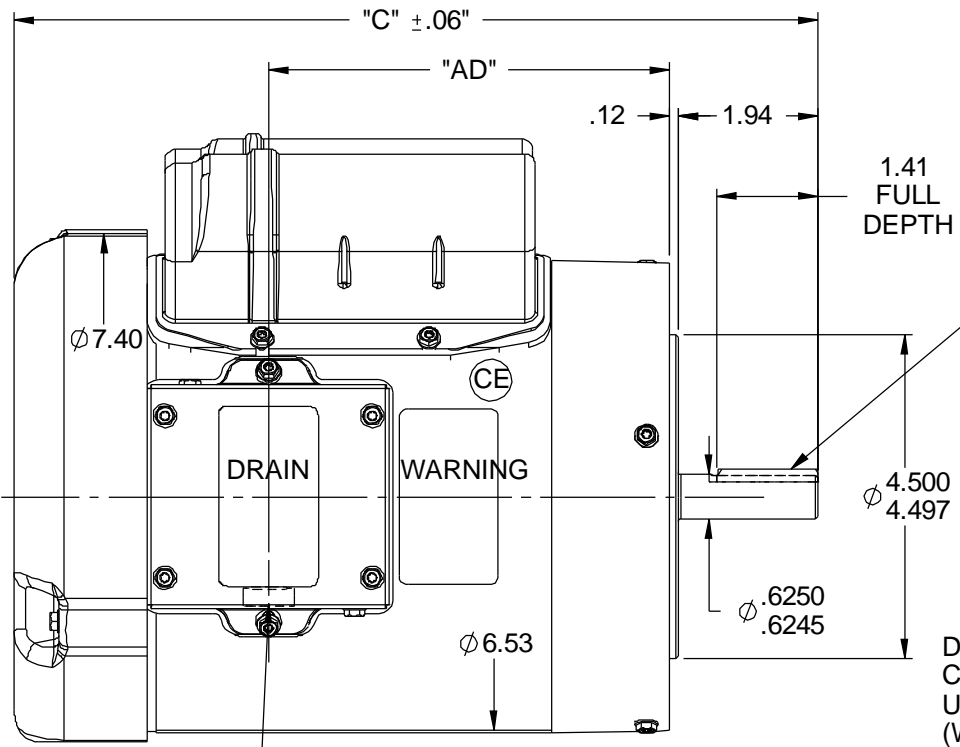
Output HP	1 Hp	Output KW	0.75 kW
Frequency	60 Hz	Voltage	115/208-230 V
Current	12.8/6.4 A	Speed	1725 rpm
Service Factor	1.15	Phase	1
Efficiency	75 %	Duty	Continuous
Insulation Class	F	Design Code	L
KVA Code	K	Frame	56C
Enclosure	Totally Enclosed Fan Cooled	Overload Protector	No
Ambient Temperature	40 °C	Drive End Bearing Size	6205
Opp Drive End Bearing Size	6203	UL	Recognized
CSA	Y	CE	Y
IP Code	55		

Technical Specifications

Electrical Type	Capacitor Start Induction Run	Starting Method	Across The Line
Poles	4	Rotation	Selective Counterclockwise
Mounting	Round	Motor Orientation	Horizontal Or Shaft Down
Drive End Bearing	Ball	Opp Drive End Bearing	Ball
Frame Material	Rolled Steel	Shaft Type	NEMA 56
Overall Length	12.16 in	Frame Length	6.50 in
Shaft Diameter	0.625 in	Shaft Extension	1.94 in
Assembly/Box Mounting	F1 Only		
Outline Drawing	028843-650B	Connection Diagram	005278.01ME

This is an uncontrolled document once printed or downloaded and is subject to change without notice. Date Created: 07/02/2018

This document is the property of REGAL BELOIT CORPORATION ("RBC") including its subsidiaries and divisions and contains proprietary information of RBC. This document is loaned on the express condition that neither it nor the information contained therein shall be disclosed to others without the express written consent of RBC, and that the information shall be used by the recipient only as approved expressly by RBC. This document shall be returned to RBC upon its request. This document may be subject to certain restrictions under U.S. export control laws and regulations.



(1) 1/2-14 NPT (PLUGGED)

DASH NO.	"C"	"AD"
450	10.16	4.57
500	10.66	5.07
550	11.16	5.57
600	11.66	6.07
650	12.16	6.57
700	12.66	7.07

CAP. DASH	"XO"
A	4.33
B	4.78
C	5.00

(4) 3/8-16 UNC-2B X .56 DP. ON A Ø 5.875 B.C.

SPECIAL FEATURES:

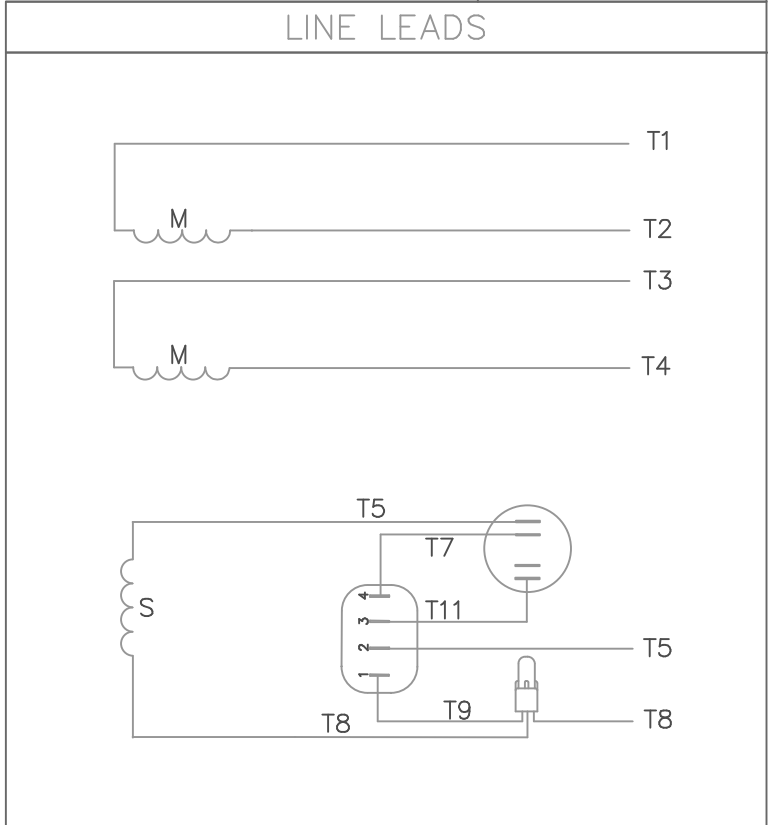
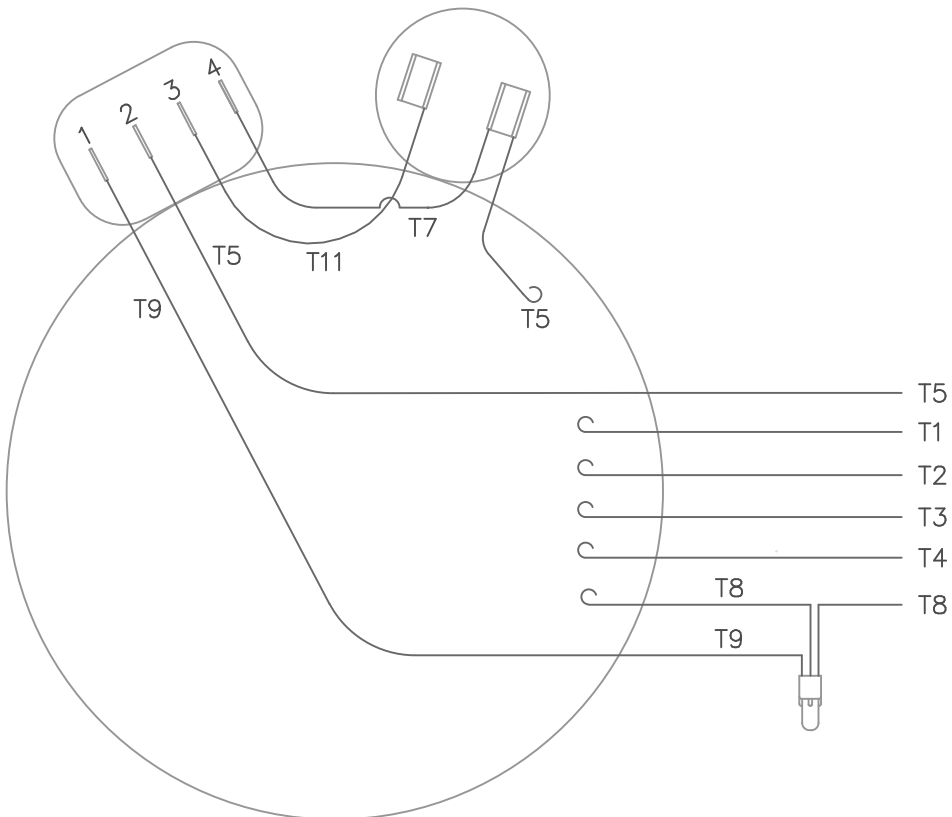
- 1) SHAFT SEALS & V-RING
- 2) DRAIN HOLES IN BOTH ENDBELLS & CONDUIT BOX
- 3) GASKETS THROUGHOUT
- 4) STAINLESS STEEL SHAFT, HARDWARE, & NAMEPLATE

MAXIMUM FACE RUNOUT .004 T.I.R.
 MAXIMUM PILOT ECCENTRICITY .004 T.I.R.
 PERMISSIBLE SHAFT RUNOUT .002 T.I.R.

		TOLERANCES UNLESS SPECIFIED		MARATHON ELECTRIC	DRAWN LST 6/2/08		
		DEC	INCHES		CHK	APPR	
		.X	±.1	TITLE OUTLINE 56C FRAME TEFC "C" FACE	SCALE 3:8		
		.XX	±.03		REF		
		.XXX	±.005		FMF		
01	UPDATE PER ECR-0034519	LST 4/26/2013	XX .XXX ±.0005		MAT'L WASHGUARD	PAGE OF	
NO	REVISION	BY & DATE	CHK ANG ±1/2°	FINISH	SIZE	DRAWING NO	REV
			RFP	PREV	A	028843	01



VIEW FROM OUTSIDE OF MOTOR AT SWITCH END



	ROTATION FACING LEAD END	L1	L2	JOIN & INSULATE
HIGH VOLT	C.C.W.	T1	T4 T5	T2,T3 T8
	C.W.	T1	T4 T8	T2,T3 T5
LOW VOLT	C.C.W.	T1,T3 T8	T2,T4 T5	
	C.W.	T1,T3 T5	T2,T4 T8	

		TOLERANCES UNLESS SPECIFIED			DRAWN RDW 04/18/02	
		DEC.	INCHES		CHK	
		.X	±.1		APPD KMM 04/18/02	
		.XX	±.01		SCALE 1=1	
		.XXX	±.005		REF	
		.XXXX	±.0005	FMF		
NO.	REVISION	BY & DATE	CHK	ANG	±1/2'	PREV
THIS DRAWING IN DESIGN AND DETAIL IS OUR PROPERTY AND MUST NOT BE USED EXCEPT IN CONNECTION WITH OUR WORK ALL RIGHTS OF DESIGN AND INVENTION ARE RESERVED THIS IS AN ELECTRONICALLY GENERATED DOCUMENT - DO NOT SCALE THIS PRINT			RFP	04/18/02	CAD FILE	00527801ME
			DIST			SIZE A
					DRAWING NO.	005278-01ME
					REV.	

